

# LCD Monitor Arm // Installation Manual

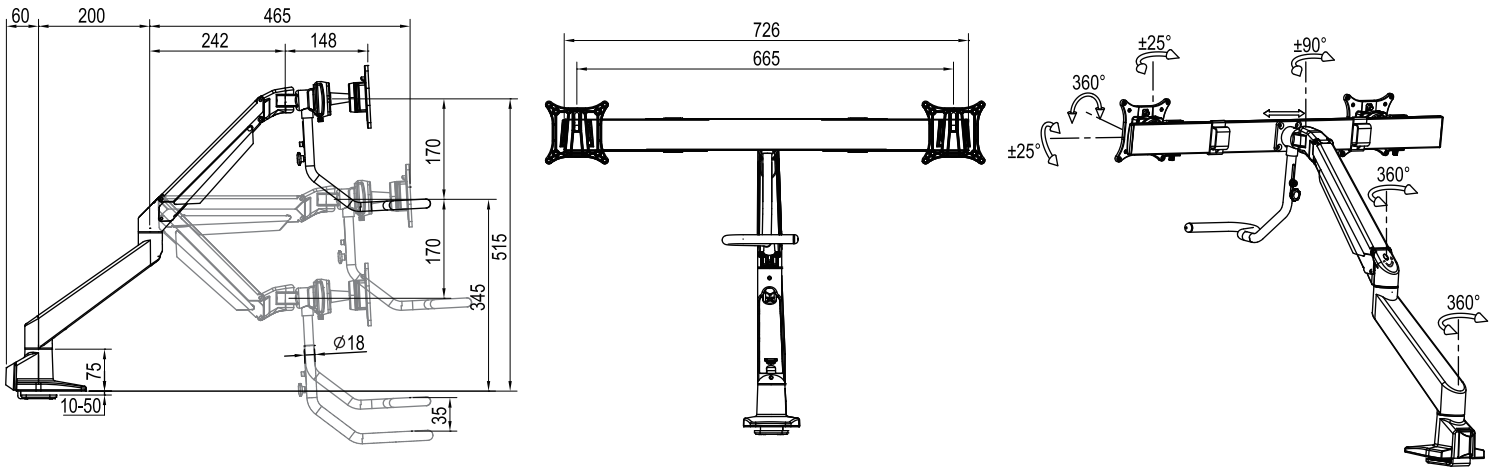
Product name: Full motion double-monitor gas arm

Model no. BS207

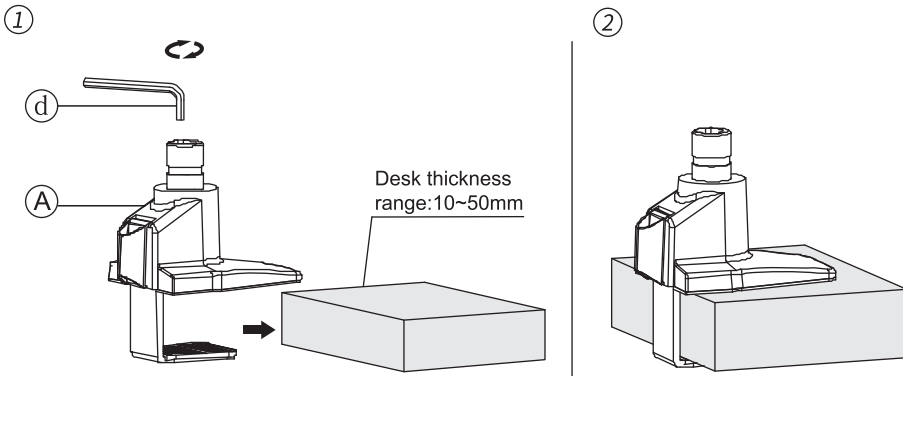
## Product Specification

Sketch											Desk thickness(mm)	
Item	Monitor size	Weight range (kg)	Lift(mm)	Tilt	Swivel	Pivot	VESA	Packing size (mm)	N.W(kg)	G.W(kg)	Thru-desk	Desk clamp
Specification	≤27"	2-10	340	+25°~ -25°	±90°	360°	75*75	Inner:760*215*165	Inner: 4.1	Inner: 4.8	50	50
		8-20					100*100	Outside:780*235*515				
							Inner/Outside:3/1	Outside: 12.3				

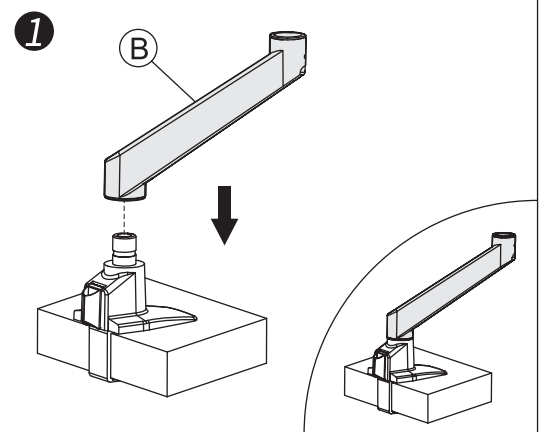
## Product Size



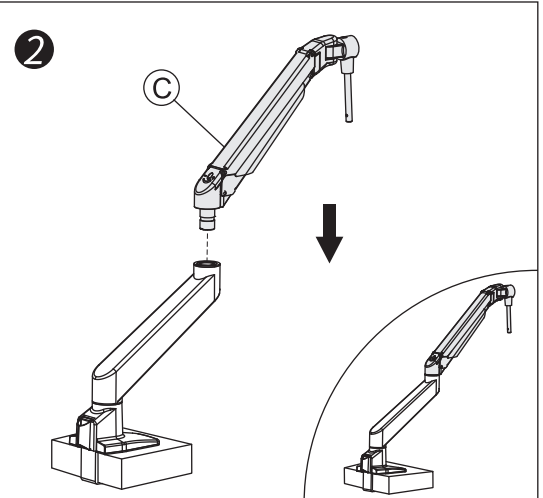
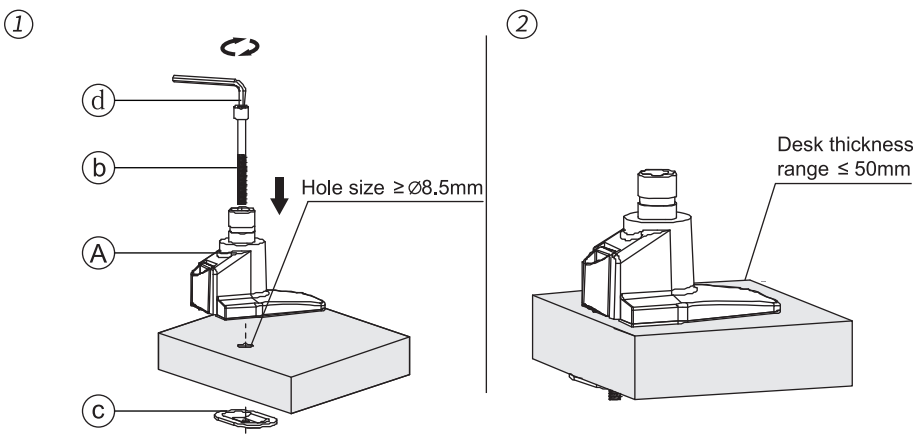
## Installation – Desk Clamp



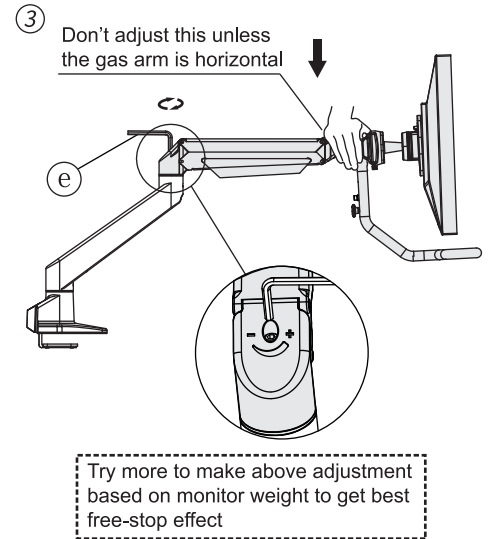
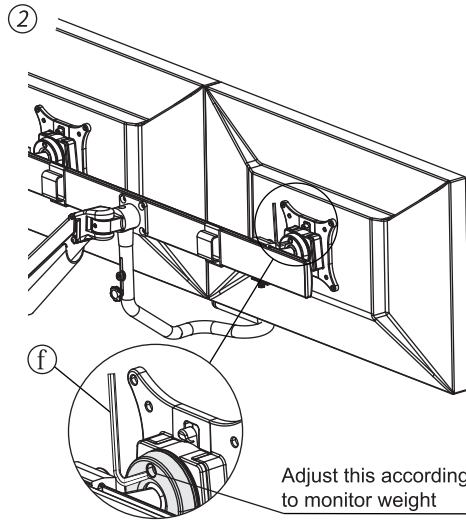
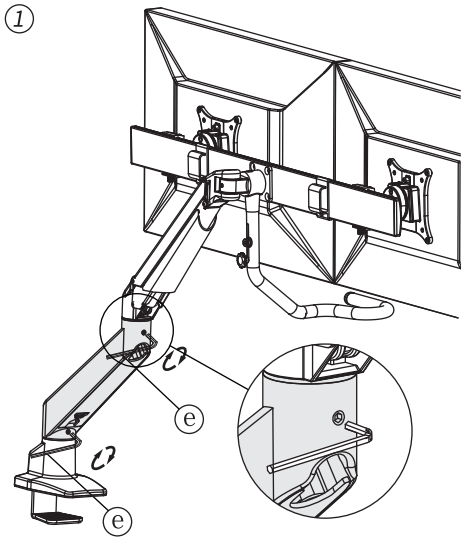
## Install Procedure



## Installation – Thru-desk

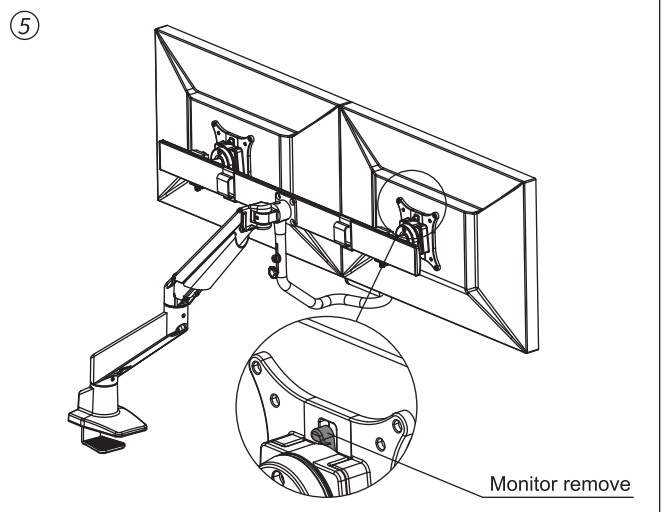
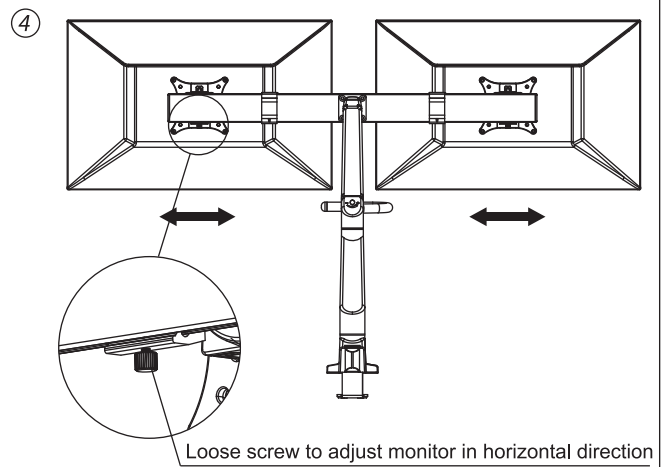


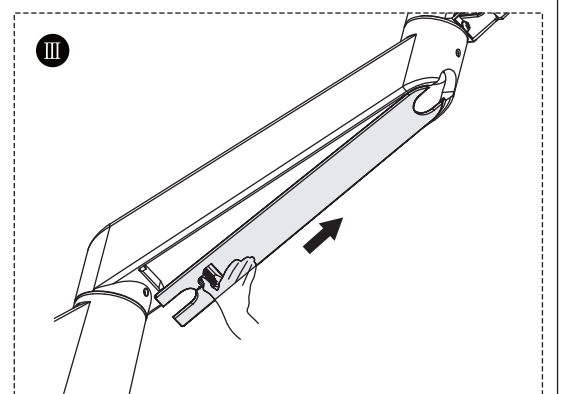
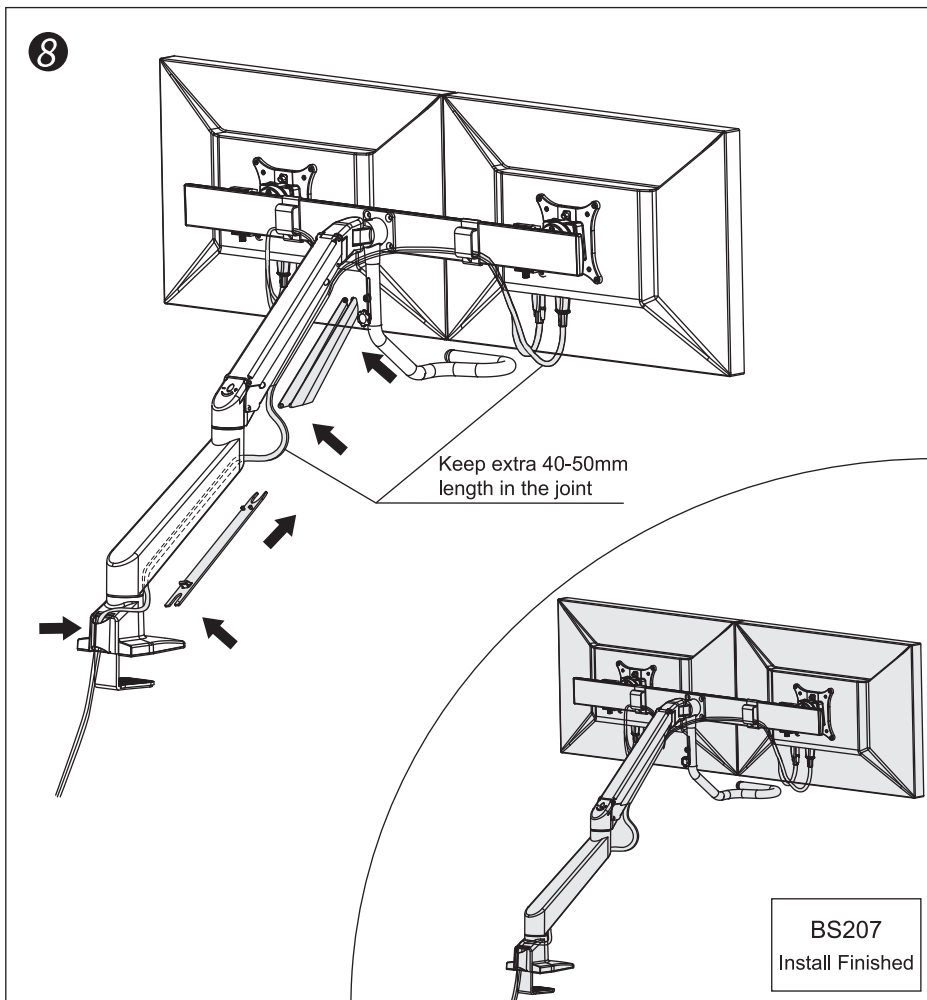
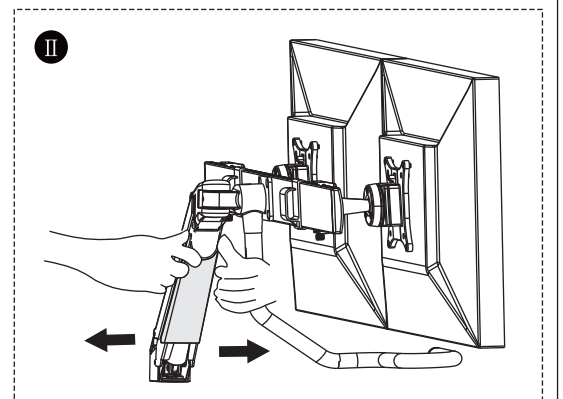
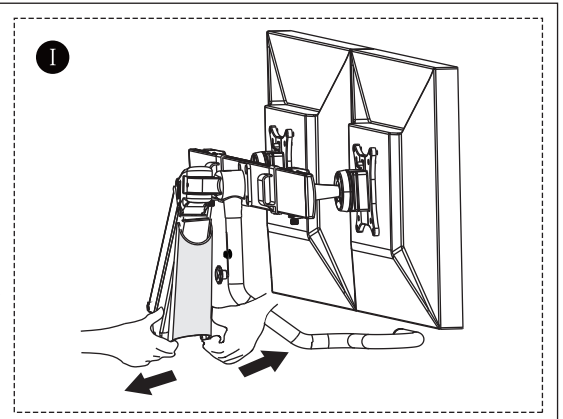
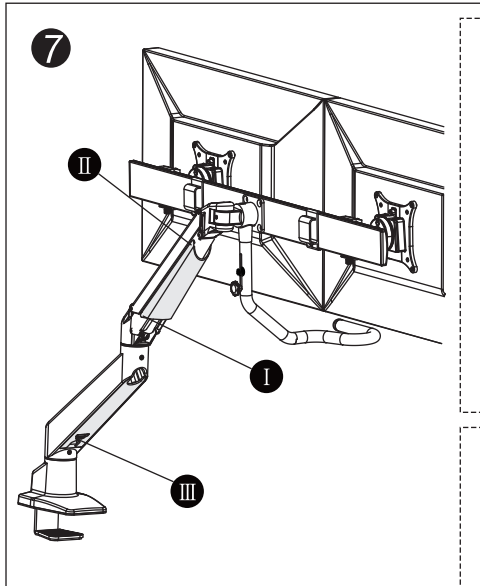
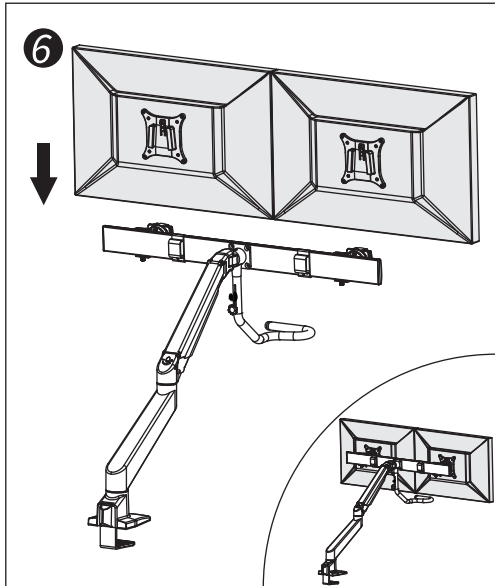
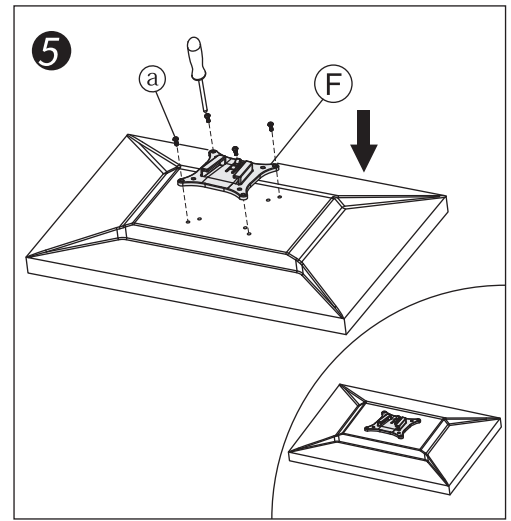
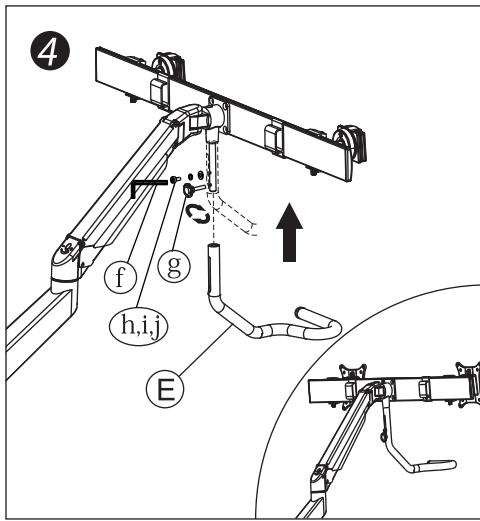
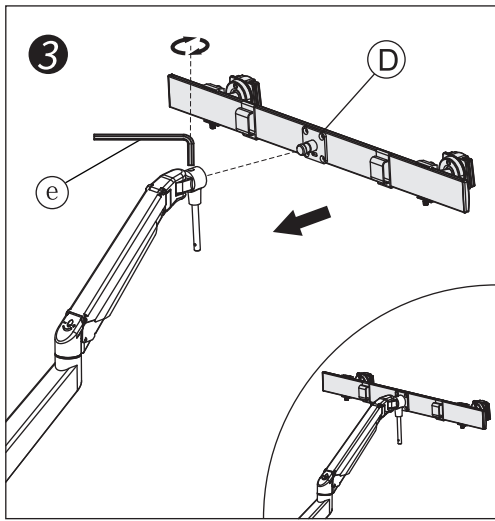
# Adjust Procedure



Module List			
No.	Sketch	Specs	Quantity
A			1
B			1
C			1
D			1
E			1
F			2

Part List			
No.	Sketch	Specs	Quantity
a		M4x16	8
b		M8x160	1
c			1
d		M6	1
e		M4	1
f		M3	1
g		M4x12	1
h		M4x12	1
i		M4	1
j		M4	1





**Attention**  
Rude dismantle isn't allowed !

BS207  
Install Finished